



2009 10 30 31

4



HP)

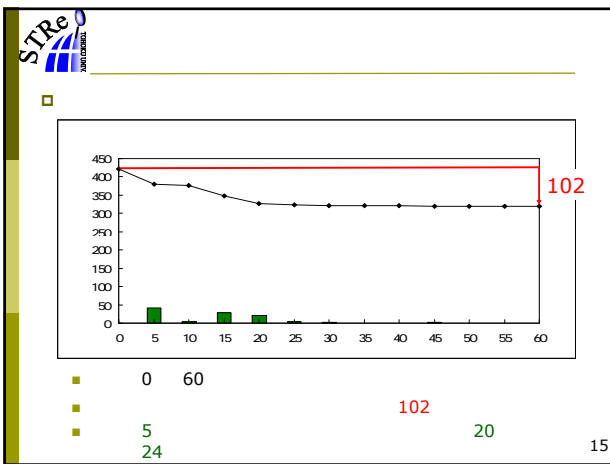
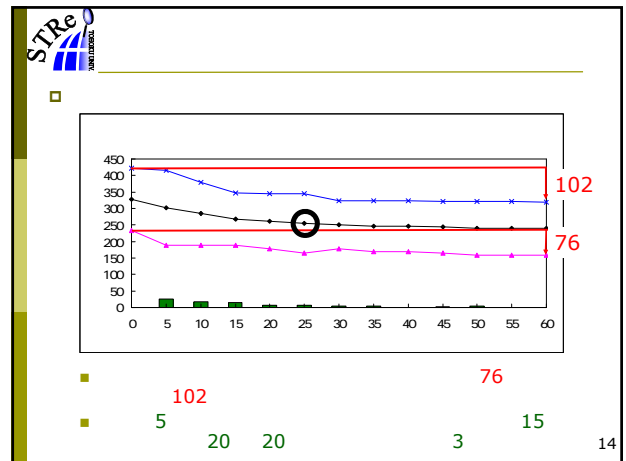
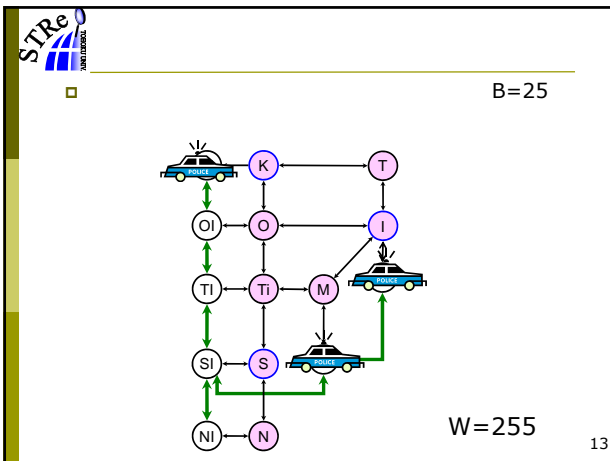
naknr@cneas.tohoku.ac.jp  
(2)

- 
- T
- u r<sub>u</sub> 0 D<sup>h</sup><sub>nu</sub>
- u
- u
- u 0 1 V<sub>u</sub> D<sup>h</sup><sub>nu</sub>

- 
- D<sup>h</sup><sub>nu</sub> ≥
- D<sup>h</sup><sub>nu</sub>

7





	KI	OI	TI	SI	NI	M	II
0	422	0	0	0	0	0	0
5	390	0	0	0	1	0	0
10	376	0	1	0	0	1	0
15	348	0	0	0	0	0	1
20	328	0	0	0	1	0	0
25	324	0	1	0	1	0	0
30	322	0	0	1	1	0	0
35	322	0	0	1	1	0	0
40	322	0	1	0	1	0	1
45	320	0	0	1	1	0	1
50	320	0	0	1	1	0	1
55	320	0	0	1	1	0	1
60	320	0	0	1	1	0	1

Parameters: 10, 15, 20, 24, 102, 20.

Mixed Integer LP

Gilboa, I. and Schmeidler, D. (1989) Bell, M G. H. 2006

min (1)

